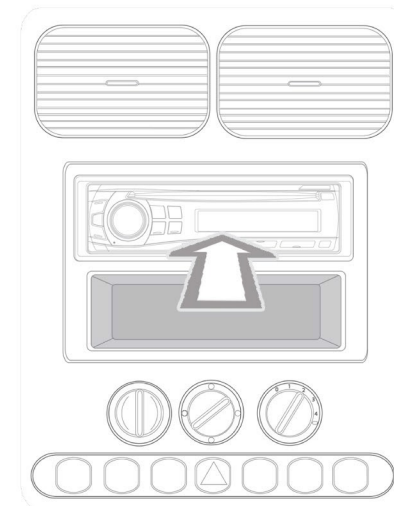
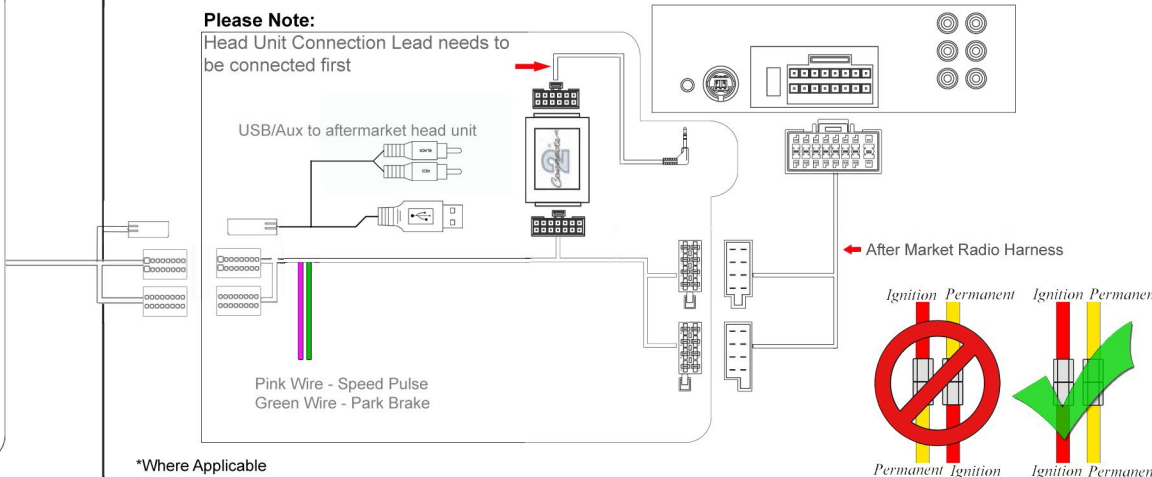
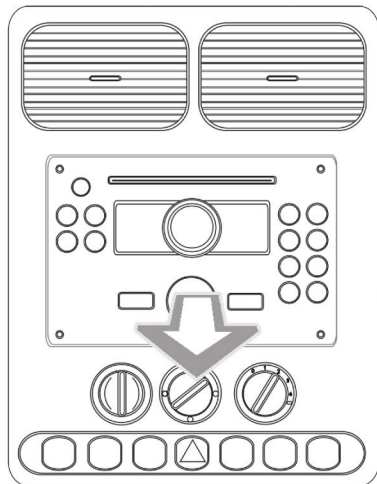


# Installation Guide

Part No: **CTSNS012.2**

Nissan CAN-Bus Steering Wheel Control Interface



## Vehicle Compatibility:

Altima 2014>  
Rogue 2014>

## Steering Wheel Control Functions



### Setting Vehicle Time

Ensure that the display in the clocks shows an audio source. Press and hold 'Source' for 8 seconds. Use 'Track -' to change hours and 'Track +' to change minutes. Short press 'Source' to set the time, or press and hold 'Source' to exit the menu without saving changes.

\* Note All Dates are guide lines only as specifications of vehicles change